

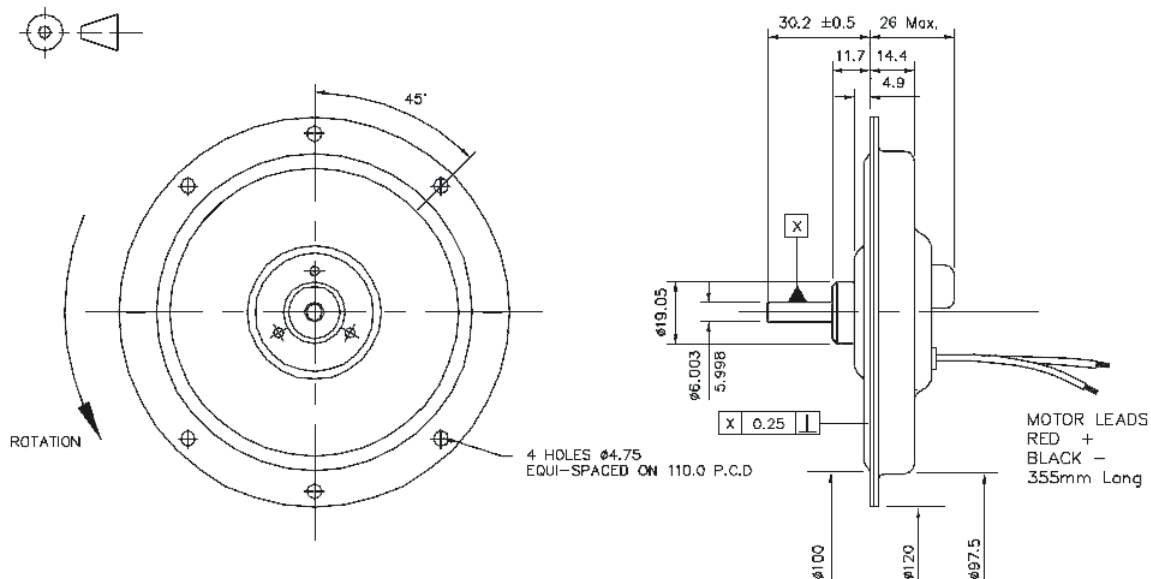
Peak Torque **300 Ncm**
 Cont. Torque **30 Ncm**
 Cont. Power **94 Watts**
 Speed **<1 to 6000 rpm**

The Printed Motor Works GPN12 is a totally enclosed dc motor in an ultra slim pancake profile. This pancake motor utilizes high power 'rare earth' magnets and can provide, higher performance, yet cost effective servo capability. Using flat armature technology the motor is ideal for general purpose applications.



Motor Constants	Symbol	Unit	Value
Voltage	Ke	V/krpm	5.0
Torque	Kt	Ncm/Amp	4.8
Damping	Kd	Ncm/1000rpm	0.50
Friction	Tf	Ncm	1.2
Terminal Resistance	I	Ohm	1.1

Motor Ratings	Unit	Value
Voltage	Volts	22.5
Current	Amps	6.9
Torque	Ncm	30.0
Speed	RPM	3000
Power	Watts	94



Sample design modifications

Shaft

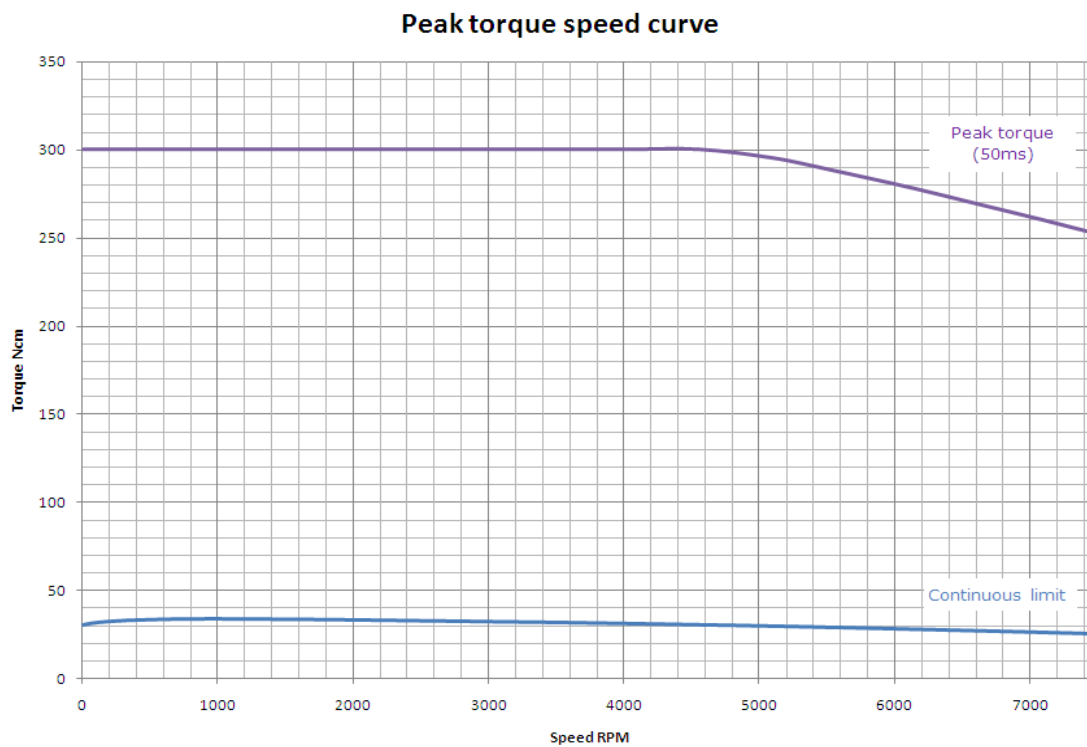
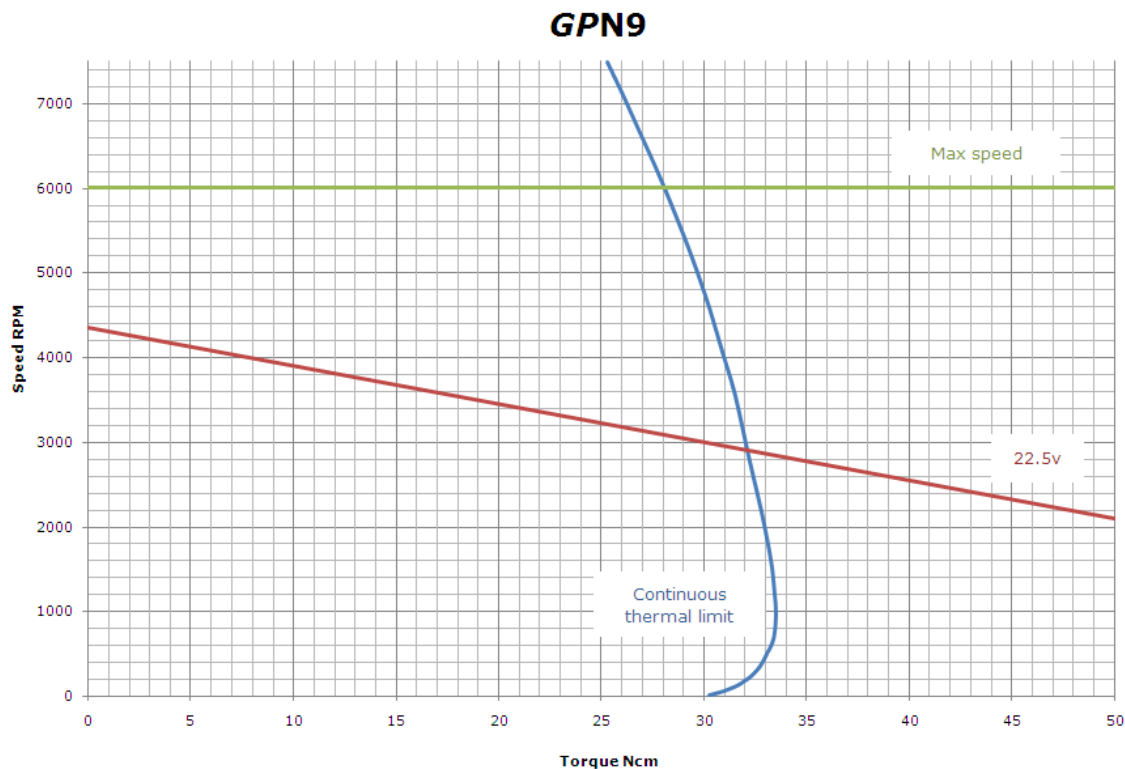
Round shaft
 Extra flats
 Length variants
 Cut gear
 Other modifications

Brushes

Long life for continuous duty applications
 Low resistance brushes for servo applications
 High altitude
 Vacuum

Extra

EMC suppression
 Long leads
 Connectors
 Tri-rated cable
 Use in low ambient temperatures



NOTE: The angle of the Torque/Speed curve remains the same for higher and lower voltages. The speed varies proportionally from zero rpm relative to the voltage supplied. The stated voltage is an example, not a predefined maximum or minimum. Due to ongoing product improvement data in this datasheet maybe subject to change without notice.