

# GPN16

Peak Torque **1700 Ncm**  
 Cont. Torque **170 Ncm**  
 Cont. Power **533 Watts**  
 Speed **<1 to 6000 rpm**

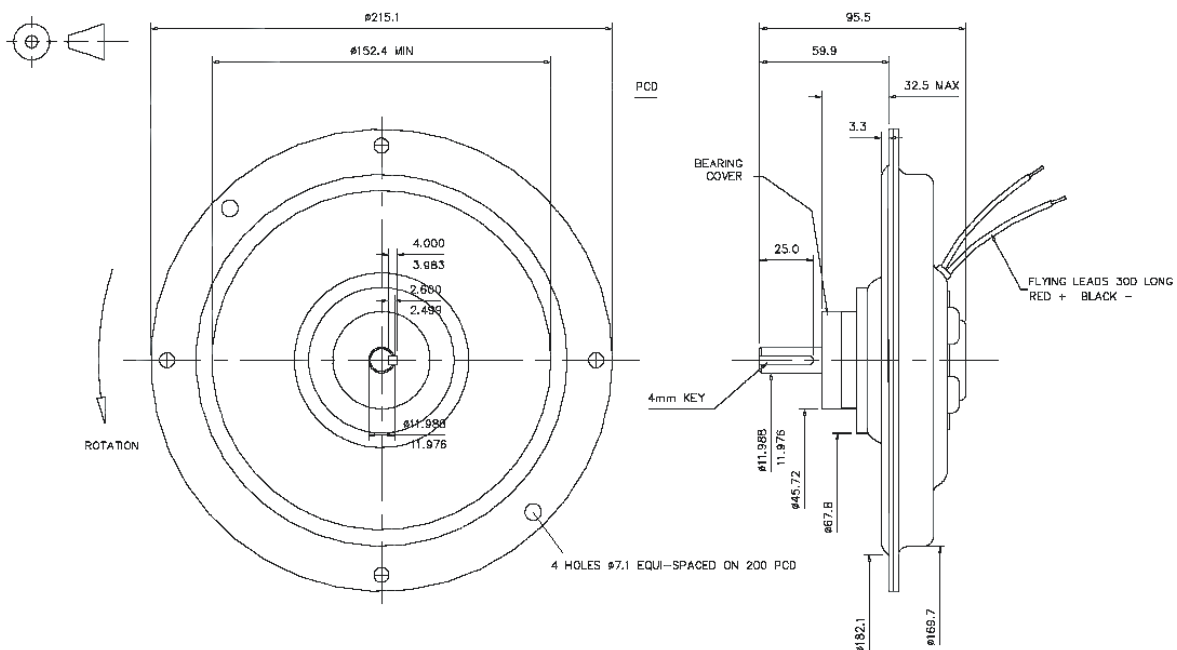
The Printed Motor Works GPN16 is a totally enclosed dc motor in an ultra slim pancake profile. This pancake motor utilizes high power 'rare earth' magnets and can provide, higher performance, yet cost effective servo capability. Using flat armature technology the motor is ideal for general purpose applications.



GPN16

Motor Constants	Symbol	Unit	Value
Voltage	Ke	V/krpm	22.9
Torque	Kt	Ncm/Amp	21.9
Damping	Kd	Ncm/1000rpm	2.5
Friction	Tf	Ncm	4.9
Terminal Resistance	I	Ohm	0.85

Motor Ratings	Unit	Value
Voltage	Volts	75.8
Current	Amps	8.4
Torque	Ncm	170.0
Speed	RPM	3000
Power	Watts	533



## Sample design modifications

### Shaft

- Round shaft
- Extra flats
- Length variants
- Cut gear
- Other modifications

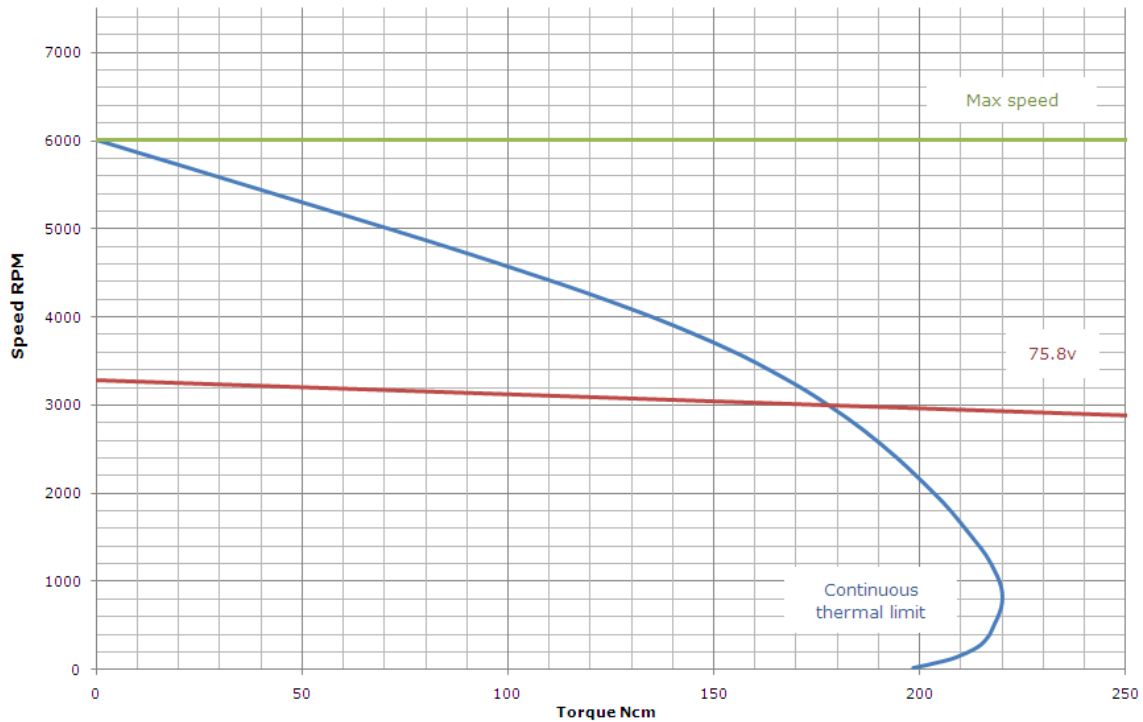
### Brushes

- Long life for continuous duty applications
- Low resistance brushes for servo applications
- High altitude
- Vacuum

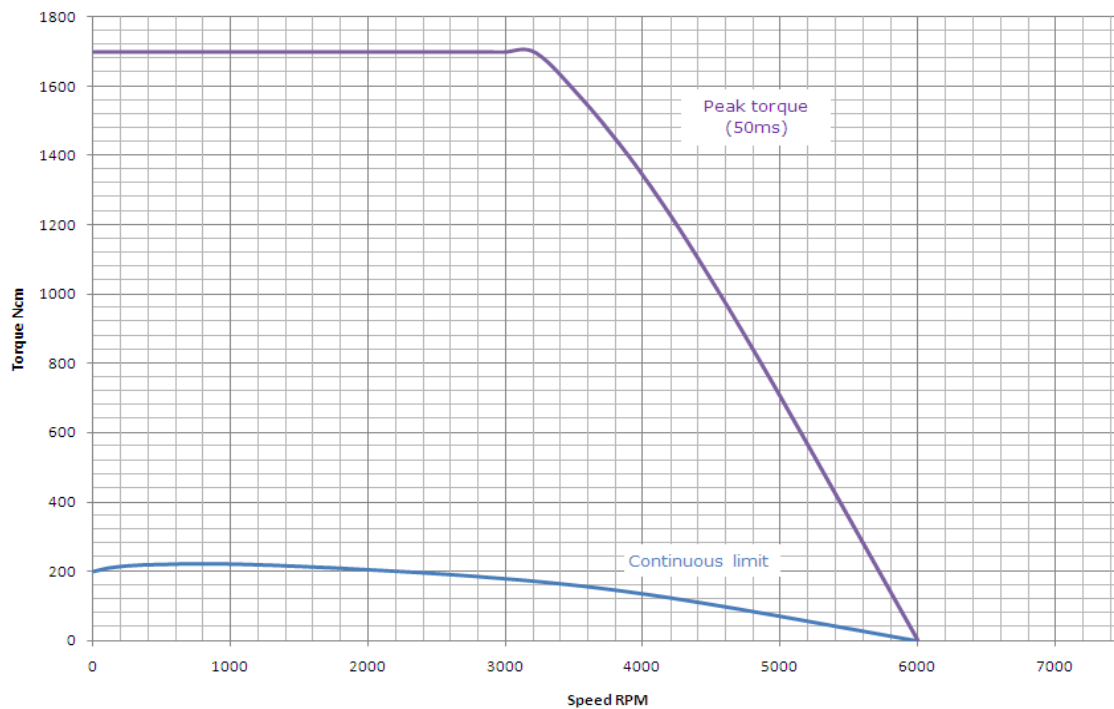
### Extra

- EMC suppression
- Long leads
- Connectors
- Tri-rated cable
- Use in low ambient temperatures

## GPN16



## Peak torque speed curve



NOTE: The angle of the Torque/Speed curve remains the same for higher and lower voltages. The speed varies proportionally from zero rpm relative to the voltage supplied. The stated voltage is an example, not a predefined maximum or minimum. Due to ongoing product improvement data in this datasheet maybe subject to change without notice.