

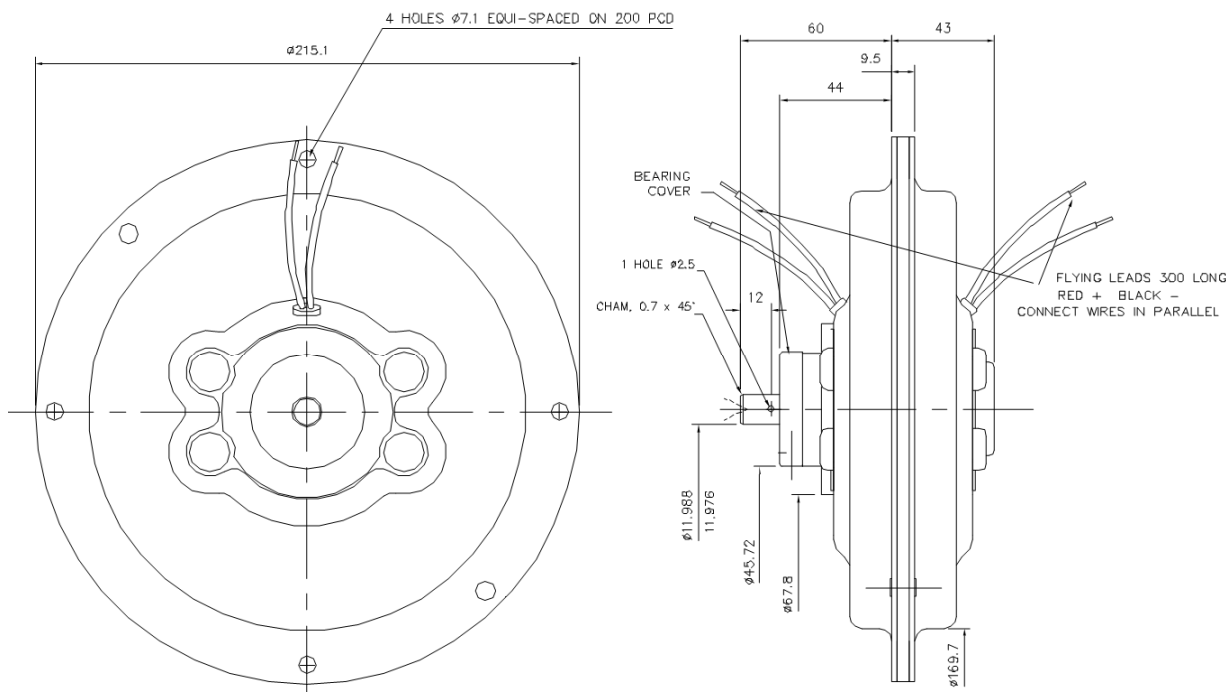
GPN16-LR-D

Peak Torque **4000 Ncm**
 Cont. Torque **400 Ncm**
 Cont. Power **1400 Watts**
 Speed **<1 to 6000 rpm**

The Printed Motor Works GPN16-LR-D is a totally enclosed dc motor in an ultra slim pancake profile. This pancake motor utilizes high power 'rare earth' magnets and twin motor armatures to give increased power from a compact package.

Motor Constants	Symbol	Unit	Value
Voltage	Ke	V/krpm	6.2
Torque	Kt	Ncm/Amp	5.9
Damping	Kd	Ncm/1000rpm	1.5
Friction	Tf	Ncm	10.0
Terminal Resistance	I	Ohm	0.68

Motor Ratings	Unit	Value
Voltage	Volts	36
Current	Amps	68
Torque	Ncm	400
Speed	RPM	3300
Power	Watts	1400



Sample design modifications

Shaft

- Round shaft
- Extra flats
- Length variants
- Cut gear
- Other modifications

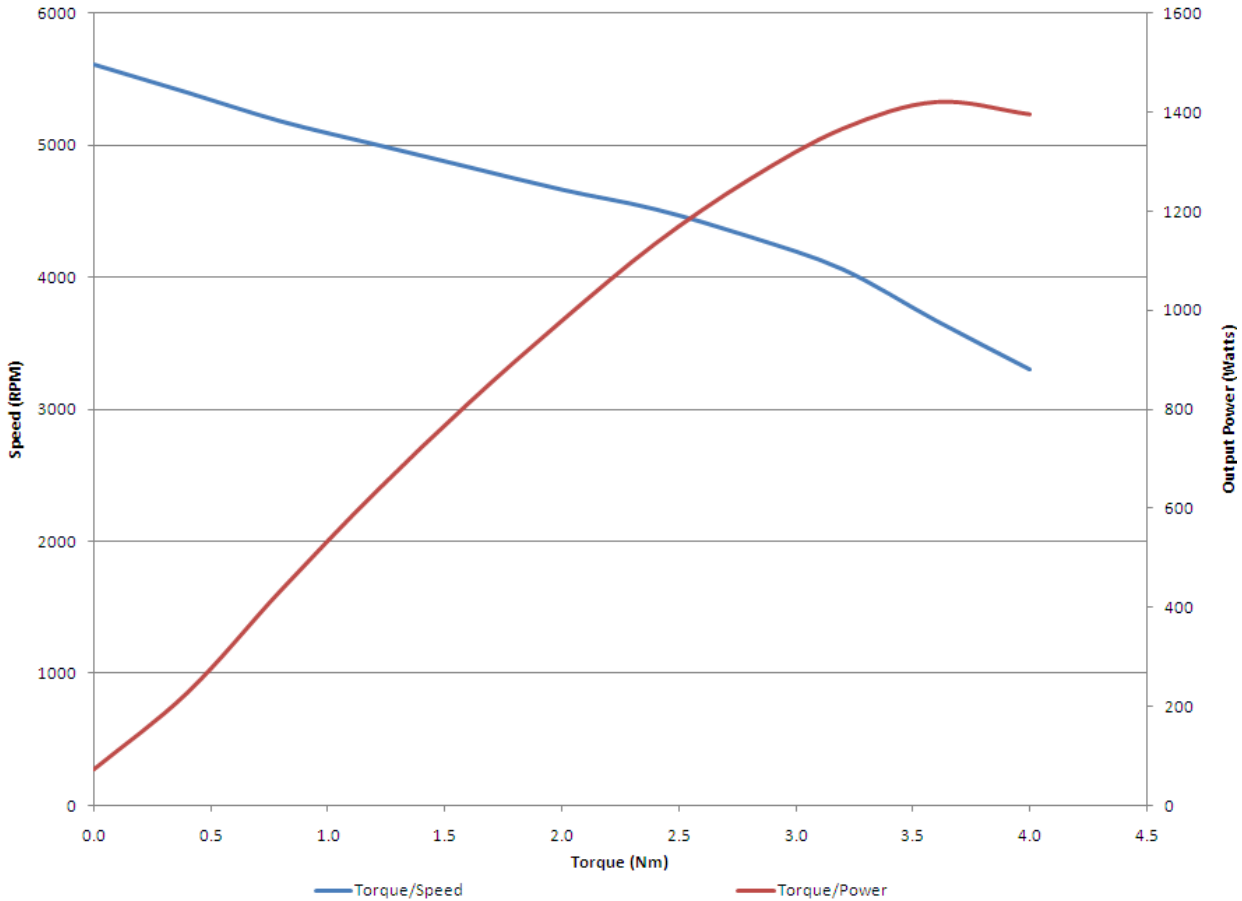
Brushes

- Long life for continuous duty applications
- Low resistance brushes for servo applications
- High altitude
- Vacuum

Extra

- EMC suppression
- Long leads
- Connectors
- Tri-rated cable
- Use in low ambient temperatures

GPN16-LR-D 36V dc Performance



NOTE: The angle of the Torque/Speed curve remains the same for higher and lower voltages. The speed varies proportionally from zero rpm relative to the voltage supplied. The stated voltage is an example, not a predefined maximum or minimum. Due to ongoing product improvement data in this datasheet maybe subject to change without notice.