

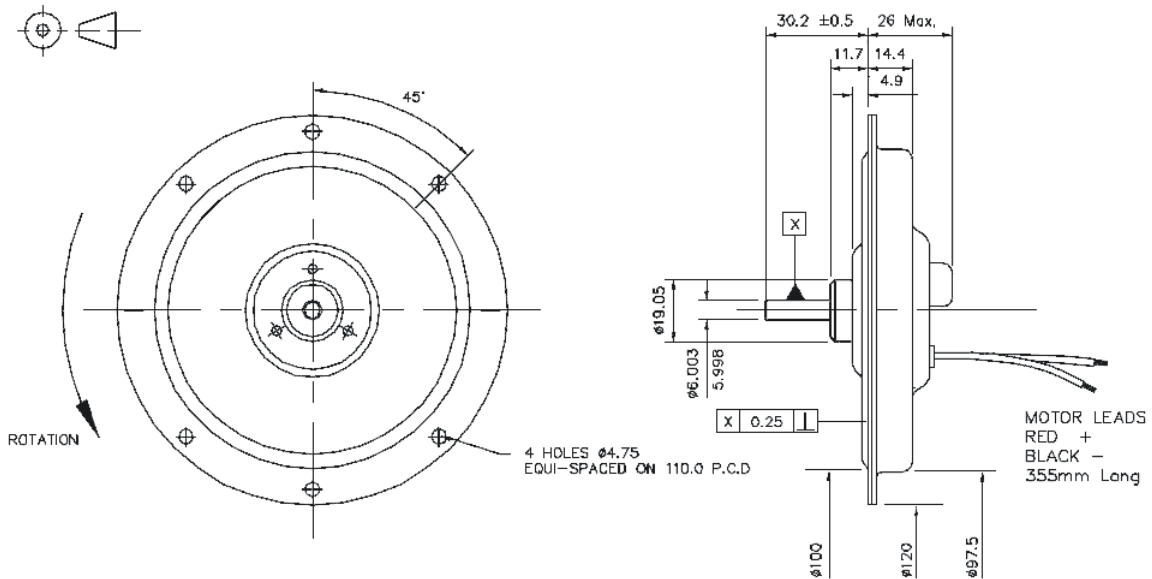
Peak Torque **130 Ncm**  
 Cont. Torque **13 Ncm**  
 Cont. Power **41 Watts**  
 Speed **<1 to 6000 rpm**

The Printed Motor Works GPM9 is a totally enclosed dc motor in an ultra slim pancake profile. This pancake motor can provide a cost effective servo capability. Using flat armature technology the motor is ideal for general purpose applications.



Motor Constants	Symbol	Unit	Value
Voltage	Ke	V/krpm	2.3
Torque	Kt	Ncm/Amp	2.2
Damping	Kd	Ncm/1000rpm	0.30
Friction	Tf	Ncm	1.2
Terminal Resistance	I	Ohm	1.1

Motor Ratings	Unit	Value
Voltage	Volts	14.5
Current	Amps	6.9
Torque	Ncm	13.1
Speed	RPM	3000
Power	Watts	41



## Sample design modifications

### Shaft

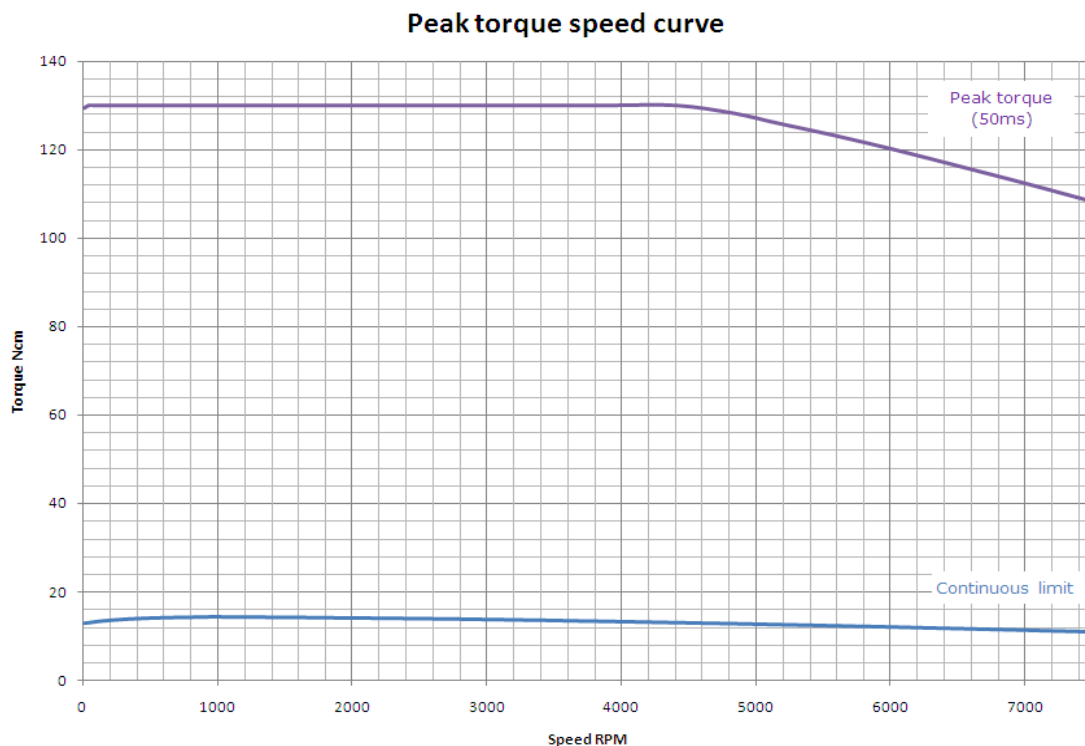
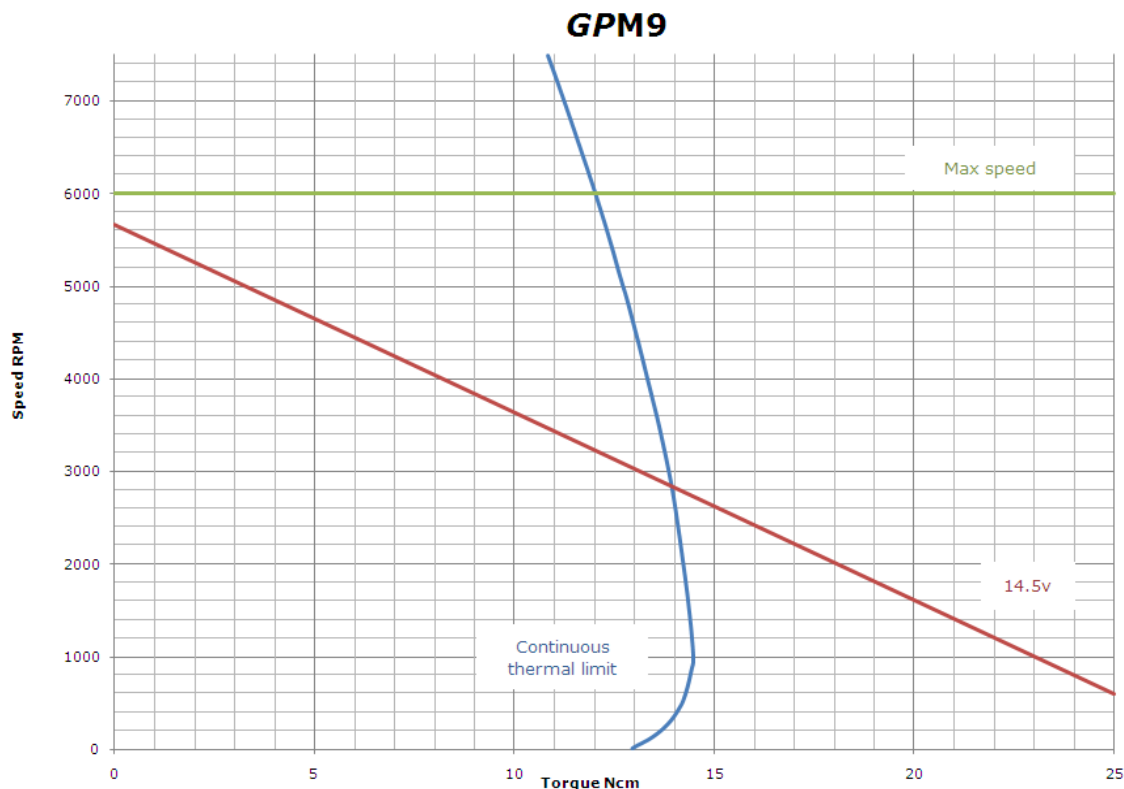
- Round shaft
- Extra flats
- Length variants
- Cut gear
- Other modifications

### Brushes

- Long life for continuous duty applications
- Low resistance brushes for servo applications
- High altitude
- Vacuum

### Extra

- EMC suppression
- Long leads
- Connectors
- Tri-rated cable
- Rated for operation in 150°C ambient



NOTE: The angle of the Torque/Speed curve remains the same for higher and lower voltages. The speed varies proportionally from zero rpm relative to the voltage supplied. The stated voltage is an example, not a predefined maximum or minimum. Due to ongoing product improvement data in this datasheet maybe subject to change without notice.