

GPM12LR

Peak Torque **200 Ncm**
 Cont. Torque **20 Ncm**
 Cont. Power **64 Watts**
 Speed **<1 to 6000 rpm**

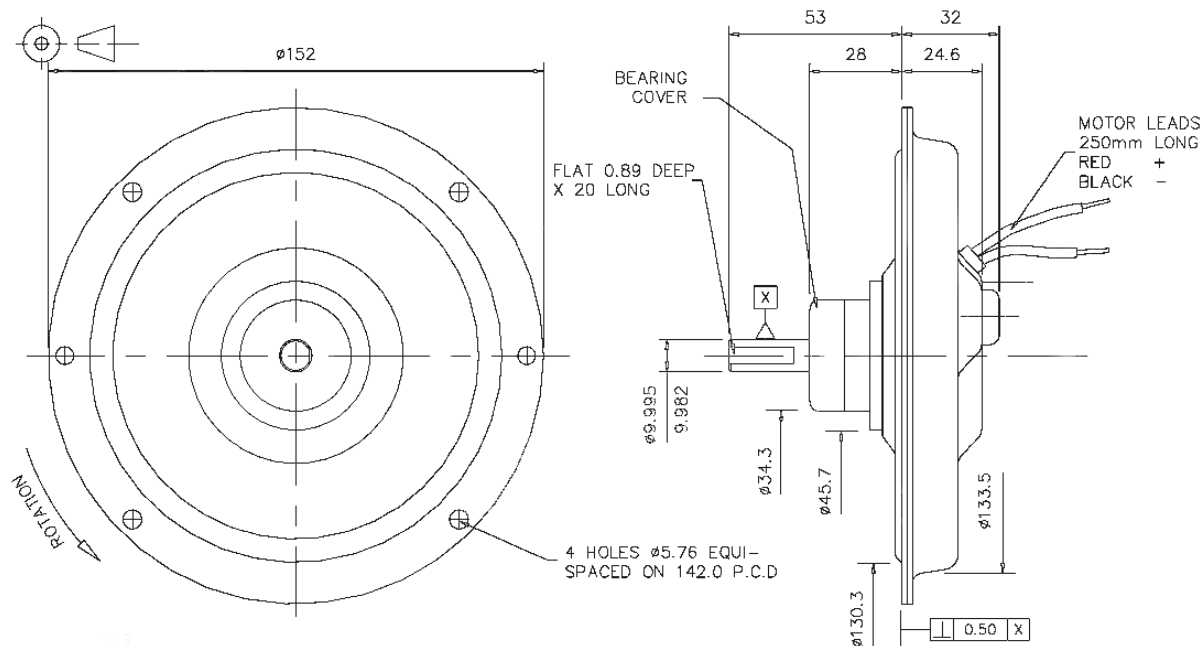


The Printed Motor Works GPM12LR is a totally enclosed dc motor in an ultra slim pancake profile designed specifically for low voltage and battery applications. This pancake motor can provide cost effective servo capability at lower voltages, compared with the standard GP series.

GPM12LR

Motor Constants	Symbol	Unit	Value
Voltage	Ke	V/krpm	2.3
Torque	Kt	Ncm/Amp	2.2
Damping	Kd	Ncm/1000rpm	0.56
Friction	Tf	Ncm	2.0
Terminal Resistance	I	Ohm	0.45

Motor Ratings	Unit	Value
Voltage	Volts	12.0
Current	Amps	10.8
Torque	Ncm	20.0
Speed	RPM	3050
Power	Watts	64



Sample design modifications

Shaft

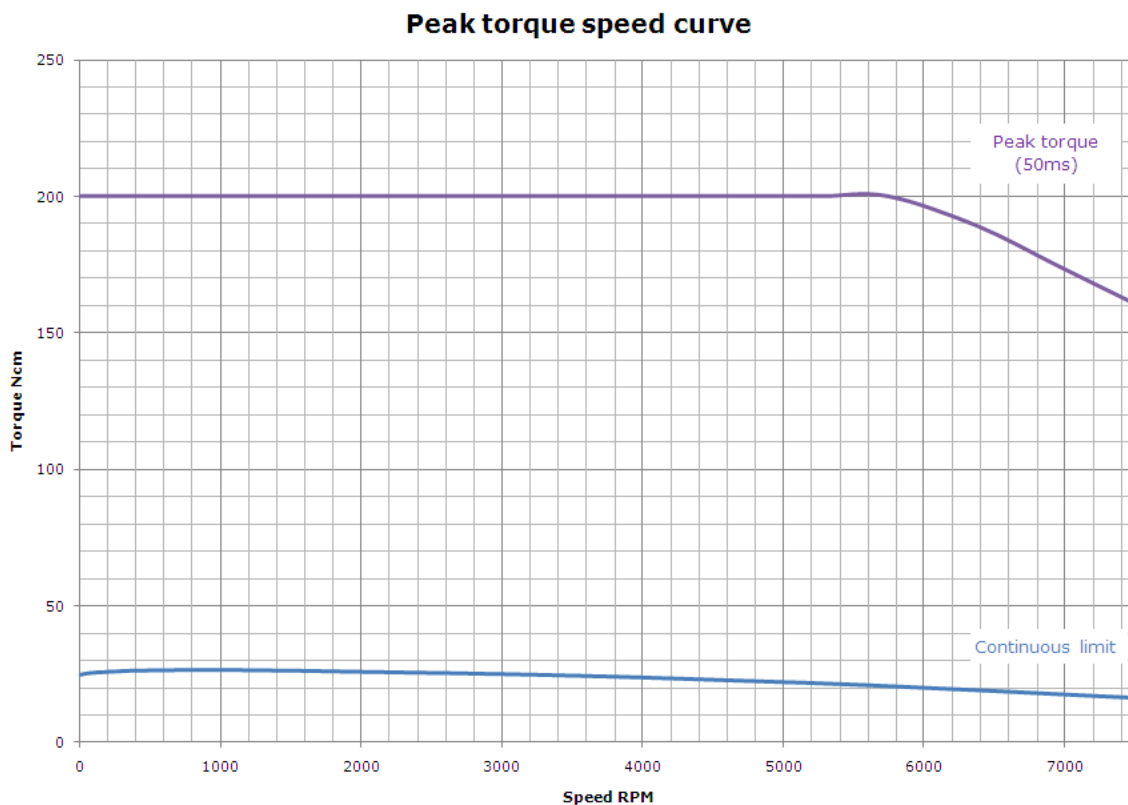
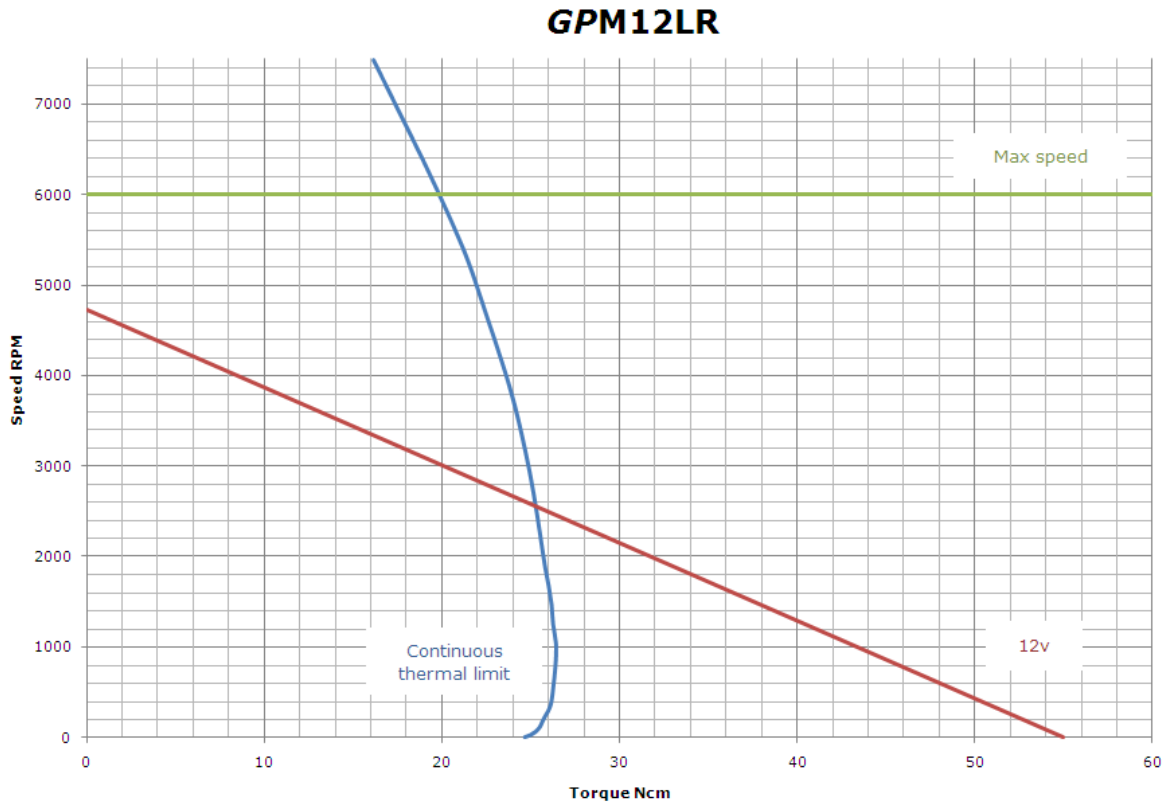
- Round shaft
- Extra flats
- Length variants
- Cut gear
- Other modifications

Brushes

- Long life for continuous duty applications
- Low resistance brushes for servo applications
- High altitude Vacuum

Extra

- EMC suppression
- Long leads
- Connectors
- Tri-rated cable
- Rated for operation in 150°C ambient



NOTE: The angle of the Torque/Speed curve remains the same for higher and lower voltages. The speed varies proportionally from zero rpm relative to the voltage supplied. The stated voltage is an example, not a predefined maximum or minimum. Due to ongoing product improvement data in this datasheet maybe subject to change without notice.