

# GPG-9F 150:1

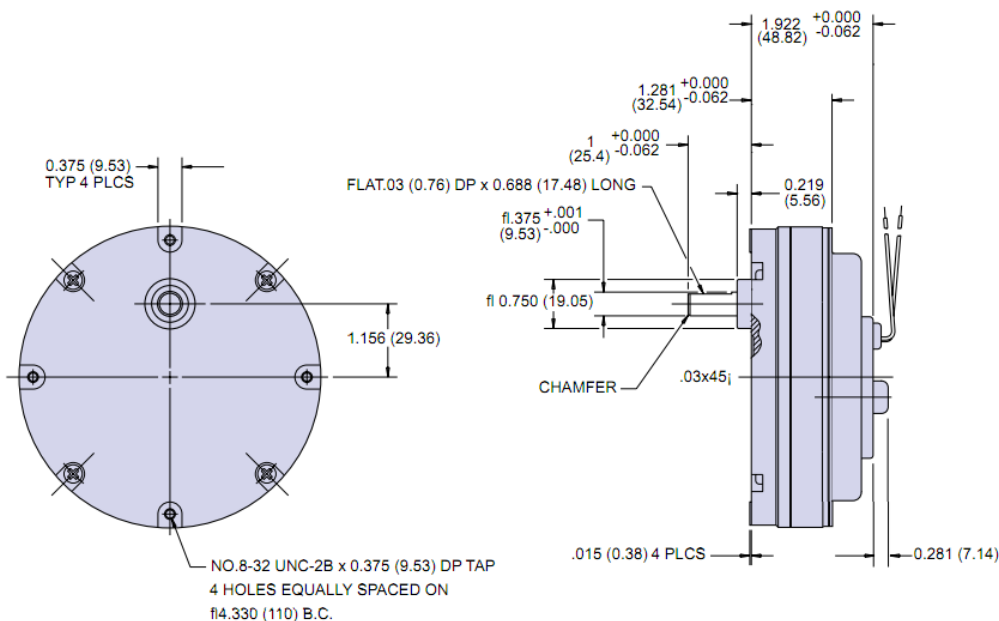
Peak Torque **700 Ncm**  
 Cont. Torque **700 Ncm**  
 Cont. Power **46 Watts**  
 Speed **<1 to 23 rpm**



The Printed Motor Works GPG-9F is a totally enclosed dc motor in an ultra slim pancake profile. This pancake motor, coupled with an axially compact 150:1 reduction spur gearbox, offers high output torque from a very thin package. Using flat armature technology the motor is ideal for general purpose applications.

Motor Constants	Symbol	Unit	Value
Voltage	Ke	V/krpm	2.3
Torque	Kt	Ncm/Amp	2.2
Damping	Kd	Ncm/1000rpm	0.30
Friction	Tf	Ncm	1.2
Terminal Resistance	I	Ohm	1.1

Output Ratings	Unit	Value
Voltage	Volts	12
Current	Amps	3.8
Torque	Ncm	700
Speed	RPM	23
Power	Watts	46



## Sample design modifications

### Shaft

- Round shaft
- Extra flats
- Length variants
- Cut gear
- Other modifications

### Brushes

- Long life for continuous duty applications
- Low resistance brushes for servo applications
- High altitude
- Vacuum

### Extra

- EMC suppression
- Long leads
- Connectors
- Tri-rated cable
- Rated for operation in 150°C ambient
- Encoder Options
- Parking Brake

